



SERVING THE FOOD INDUSTRY SINCE 1951

#22 MEAT GRINDER WITH REVERSE SWITCH

Item: 21634 Model: MG-CN-0022-E



**MAKE FRESHLY GROUND MEAT
FAST AND EASY!**

■ Ideal for small butcher shop, deli, or restaurant

Boasting a powerful 1.5 Horsepower, Omcan's #22 Meat Grinder is made up of an attractive polished aluminum. It features a reverse switch, a stainless steel pan, stomper, three additional spouts (14mm, 20mm, 22mm), and an extra machine plate (8mm and 4.8 mm).



WARRANTY
PARTS AND LABOR



NEMA
5-15 R
125 VAC / 15 AMP
RECEPTACLE



Authorized Dealer

KITCHEN EQUIPMENT

#22 MEAT GRINDER WITH REVERSE SWITCH



FEATURES

- Made of attractive polished aluminum
- Equipped with a reverse switch
- Comes with a stainless steel pan, stomper, three additional spouts (14mm, 20mm, 22mm) and an extra machine plate (8mm and 4.8 mm)
- Ideal for restaurants and small butcher operations

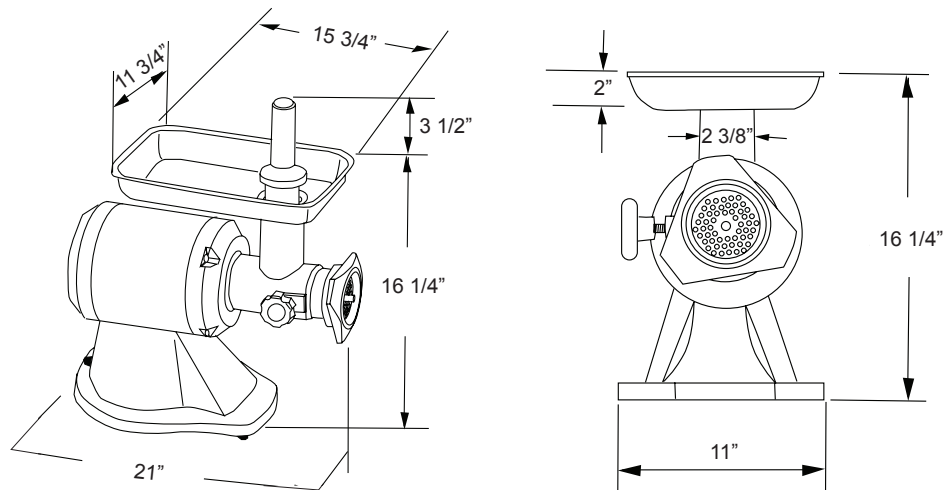
TECHNICAL SPECIFICATIONS

| | |
|----------------------|---|
| ITEM NUMBER | 21634 |
| MODEL | MG-CN-0022-E |
| POWER | 1.5 HP / 1.12 kW |
| RPM | 200 |
| THROAT OPENING | 2" / 50.8 mm approx |
| ELECTRICAL | 110V / 60Hz / 1Ph |
| WEIGHT | 63.8 lbs. / 29 kg. |
| PACKAGING WEIGHT | 77 lbs. / 35 kg. |
| DIMENSIONS (DWH) | 21" x 11.75" x 19.75" 533.4 x 298.45 x 501.65 mm |
| PACKAGING DIMENSIONS | 22" x 14.5" x 17.5" 558.8. x 368.3 x 444.5 mm |



TECHNICAL DRAWINGS AND DIMENSIONS

- Item 21634
Model MG-CN-0022-E
#22 Meat Grinder
with Reverse Switch



OMCAN INC.

Telephone: 1-800-465-0234

Fax: (905) 607-0234

Email: sales@omcan.com

Website: www.omcan.com



Follow us to keep up to date with the latest news and offers



2016.E.O.E